



rosenthal design 



Differential temperature controller for solar, heating & air conditioning systems

- Adjustable temperature difference 2 ... 16 K, hysteresis 1.6 K
- Antifreeze function adjustable by jumper / DIP switch
- Maximum or minimum temperature limitations adjustable by DIP switches (*DeltaSol®* AX/AX HE)
- Protection against dripping water
- Speed control of a high-efficiency pump with adjustable minimum speed (*DeltaSol®* AX HE)

Manuals available:



DeltaSol® A series

The *DeltaSol®* A, *DeltaSol®* AX and *DeltaSol®* AX HE controllers are the simplest solution for all differential controls. The version *DeltaSol®* A is equipped with an adjustable temperature difference and an antifreeze function.

The *DeltaSol®* AX presents an extended version which is additionally equipped with an adjustable target temperature for minimum or maximum temperature limitation.

Equipped with an electromechanical relay and a PWM output, the *DeltaSol®* AX HE controller manages the speed control of a high-efficiency pump.

The enclosed silicone sealing cord guarantees a protection against dripping water.

Customised and OEM versions are available on request. Please contact our sales team.

RESOL *DeltaSol®* A

Price bracket A | Article no.: **115 211 23**

RESOL *DeltaSol®* A – Full kit

Incl. 2 Pt1000 sensors (1 x FKP6, 1 x FRP6)

Price bracket A | Article no.: **115 211 33**

Also available as 12V~ and 115V~ versions!

As above, but with minimum or maximum temperature limitation:

RESOL *DeltaSol®* AX

Price bracket A | Article no.: **115 211 73**

RESOL *DeltaSol®* AX – Full kit

Incl. 2 Pt1000 sensors (1 x FKP6, 1 x FRP6)

Price bracket A | Article no.: **115 211 83**

Also available as 12V~, 12V=, 24V= and 115V~ versions!

As above, but with a PWM output for speed control of a high-efficiency pump:

RESOL *DeltaSol®* AX HE

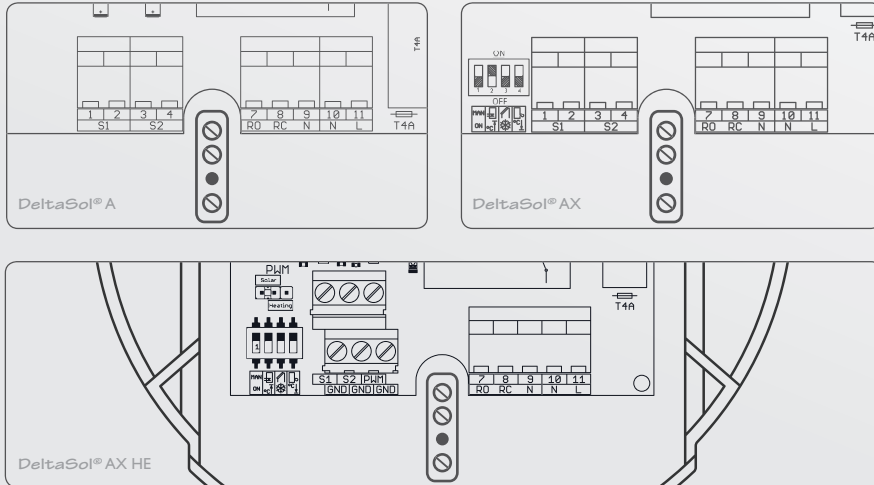
Price bracket A | Article no.: **115 213 43**

RESOL *DeltaSol®* AX HE – Full kit

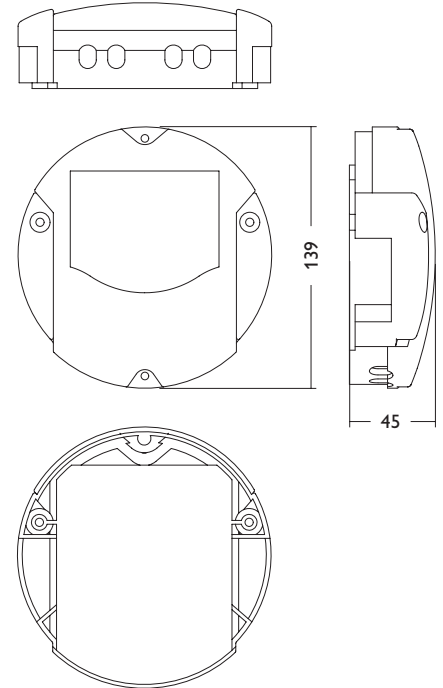
Incl. 2 Pt1000 sensors (1 x FKP6, 1 x FRP6)

Price bracket A | Article no.: **115 213 53**

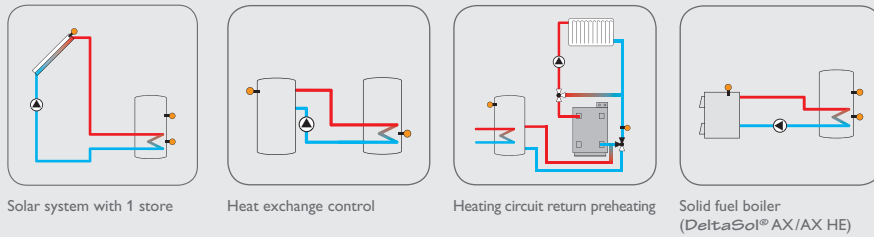
ELECTRICAL CONNECTION



TECHNICAL DATA



EXAMPLES



Inputs: 2 Pt1000 temperature sensors
Outputs: 1 electromechanical relay (changeover), 1 PWM output (*DeltaSol*[®] AX HE)
PWM frequency: 1000 Hz (*DeltaSol*[®] AX HE)
PWM voltage: 11.0 V (*DeltaSol*[®] AX HE)
Switching capacity:
 4 (1) A 240 V~ (electromechanical relay)
Total switching capacity: 4 A 240 V~
Power supply: 220 ... 240 V~ (50 ... 60 Hz), 100 ... 240 V~ (50 ... 60 Hz) (*DeltaSol*[®] AX HE)
Supply connection: type Y attachment
Standby: 1.35 W (*DeltaSol*[®] A), 1.36 W (*DeltaSol*[®] AX), 0.39 W (*DeltaSol*[®] AX HE)
Mode of operation: type 1.B action
Rated impulse voltage: 2.5 kV
Functions: antifreeze function, *DeltaSol*[®] AX/AX HE additionally with maximum or minimum temperature limitation
Housing: plastic, PC-ABS and PMMA
Mounting: wall mounting
Indication / Display: 1 operating control LED
Operation: 1 potentiometer and 1 jumper (*DeltaSol*[®] A), 2 potentiometers and 4 DIP switches (*DeltaSol*[®] AX), 3 potentiometers, 4 DIP switches and 1 jumper (*DeltaSol*[®] AX HE)
Ingress protection: IP 20 / EN 60529 (with IP 22 seal)
Protection class: II
Ambient temperature: 0 ... 40 °C
Pollution degree: 2
Dimensions: Ø 139 mm, depth 45 mm

ACCESSORIES

HR230 Auxiliary relay



Single-phase, suitable for all RESOL controllers

Price bracket A | Article no.:
280 002 60

HRG2 Housing



For up to 2 HR230 Auxiliary relays

Price bracket A | Article no.:
280 003 10

HR230/3 Auxiliary relay



Three-phase, suitable for all RESOL controllers

Price bracket A | Article no.:
280 033 50

HRG3 Housing



For 1 HR230/3 Auxiliary relay

Price bracket A | Article no.:
280 033 60

RESOL SP10



Sensor overvoltage protection

Price bracket A | Article no.:
180 110 70