


rosenthal design 

DeltaSol® Pool

Inputs: 10 sensor inputs for Pt1000, 1 x CS10, 1 x impulse and 1 digital input

Outputs: 6 semiconductor relays, 1 potential-free relay

Switching capacity:

1 (1) A 240 V~ (semiconductor relay)

2 (1) A 24 V==/240 V~ (potential-free relay)

Total switching capacity: 4 A 240 V~

Power supply: 100 ... 240 V~ (50 ... 60 Hz)

Supply connection: type Y attachment

Standby: 1.83 W

Mode of operation: type 1.B.C.Y action

Rated impulse voltage: 2.5 kV

Data interface: RESOL VBus®

VBus® current supply: 30 mA

Functions: solar operating hours counter and heat quantity measurement, function control, filter runtime monitoring, maximum flow temperature limitation, cooling function, collector emergency shutdown, pump monitoring. Add-on backup heating of the swimming pool depending on the need and on the power of the solar collectors

Housing: plastic, PC-ABS and PMMA

Mounting: wall mounting, mounting into patch panels is possible

Indication / Display: 4-line LC text display

Operation: 3 push buttons

Ingress protection: IP 20 / EN 60529

Protection class: II

Ambient temperature: 0 ... 40 °C

Pollution degree: 2

Dimensions: 227 x 156 x 60 mm

The complete solution for your swimming pool heating!

The *DeltaSol®* Pool is a controller for heating a swimming pool by means of solar collectors and optimised operation of the filter system. Backup heating of the swimming pool is varied according to solar power and pool demand, thus saving expensive energy.

- Solar operating hours counter and heat quantity measurement
- Integrated backup heating demand
- 10 sensor inputs and 7 relay outputs
- Filter runtime and pump monitoring, flushing function
- Maximum flow temperature limitation, cooling function, collector emergency shutdown

Customised and OEM versions are available on request.
Please contact our sales team.

RESOL *DeltaSol®* Pool

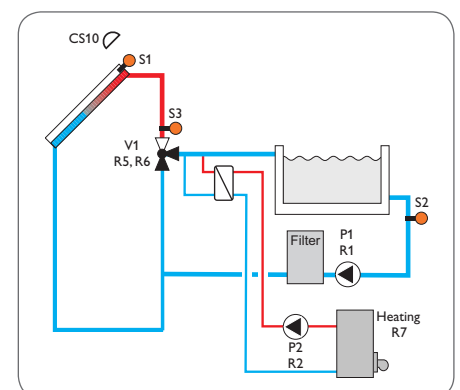
Price bracket A | Article no.: **115 661 73**

RESOL *DeltaSol®* Pool – Full kit

Incl. 3 Pt1000 sensors (1 x FKP6, 2 x FRP6)

Price bracket A | Article no.: **115 661 83**

EXAMPLE



Menu languages:

