

DeltaSol® ES



rosenthal design 

The DeltaSol® ES system controller is especially designed for the application in medium-sized solar and heating systems.

The controller is pre-programmed for 36 solar and heating systems, the individual installation configuration can be selected via the menu and represented graphically via the System-Monitoring-Display.

Customised and OEM versions are available on request. Please contact our sales team.



36 pre-programmed system layouts!

- Illuminated System-Monitoring-Display
- 8 sensor inputs and 7 relay outputs
- 36 basic systems to choose from
- Pump speed control
- Solar operating hours counter
- Heat quantity measurement

RESOL DeltaSol® ES

Price bracket A | Article no.: **115 660 93**

RESOL DeltaSol® ES – Full kit

Incl. 5 Pt1000 sensors (2 x FKP6, 3 x FRP6)

Price bracket A | Article no.: **115 661 03**

RESOL DeltaSol® ES – SD3 Full kit

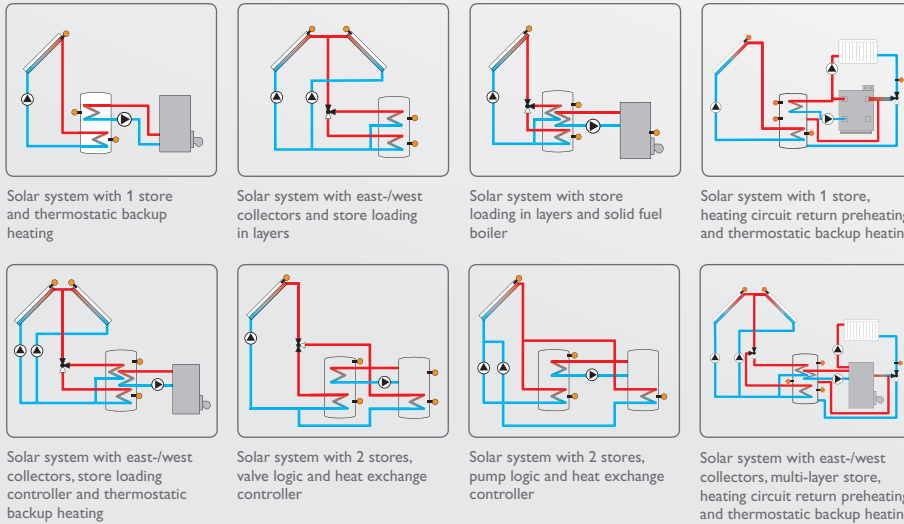
Incl. Smart Display SD3 and 5 Pt1000 sensors (2 x FKP6, 3 x FRP6)

Price bracket A | Article no.: **115 662 73**

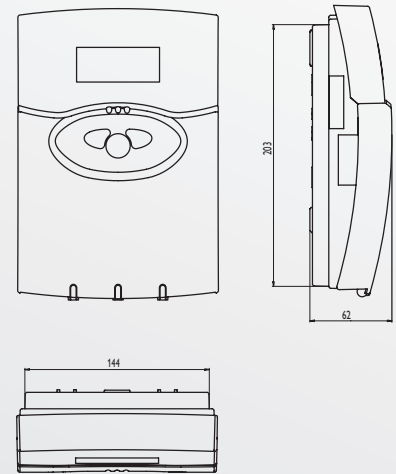
Manuals available:



Examples



Technical data



Inputs: 8 sensor inputs for Pt1000, CS10, V40

Outputs: 6 semiconductor relays, 3 of them for pump speed control and 1 potential-free relay

Switching capacity:

1 (1) A 240 V~ (semiconductor relay)

2 (1) A 24 V== / 240 V~ (potential-free relay)

Total switching capacity: 4 A 240 V~

Power supply: 100 ... 240 V~ (50 ... 60 Hz)

Supply connection: type Y attachment

Standby: 0.48 W

Temperature controls class: I

Energy efficiency [%]: 1

Mode of operation: type 1.B.C.Y action

Rated impulse voltage: 2.5 kV

Data interface: RESOL VBus®

VBus® current supply: 30 mA

Functions: 2-store systems, east-/west collectors, heating circuit backup, heat exchange control, thermostatic backup heating, solid fuel boilers, adjustable functions and options as heat quantity measurement, collector cooling function, tube collector function, antifreeze function, minimum temperature limitation, pump speed control, balance and diagnostics functions, function control

Housing: plastic, PC-ABS and PMMA

Mounting: wall mounting, mounting into patch panels is possible

Indication/Display: System-Monitoring-Display for visualisation of systems, 16-segment and 7-segment display, 8 symbols for indication of system status and operating control LED

Operation: 3 push buttons at the front

Ingress protection: IP 20/EN 60529

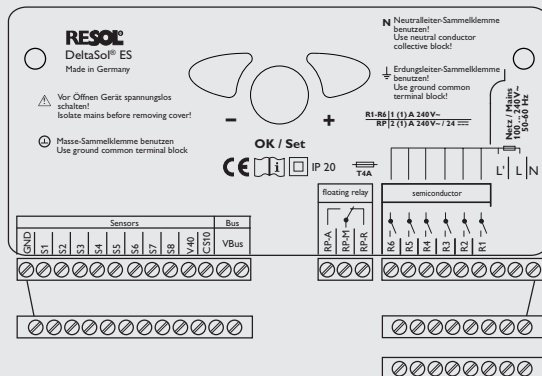
Protection class: II

Ambient temperature: 0 ... 40 °C

Pollution degree: 2

Dimensions: 227 x 156 x 62 mm

Electrical connection



Accessories

RESOL DL2 Datalogger



For visualisation via VBus.net, incl. SD card and network cable, mains adapter and VBus® cable pre-connected

Price bracket A | Article no.: **180 007 10**

RESOL V40



V40 flowmeter in different versions

RESOL SP10



Sensor overvoltage protection

Price bracket A | Article no.: **180 110 70**

RESOL AM1



Alarm module for signalling system failures

Price bracket B | Article no.: **180 008 70**