



rosenthal design

Freely
configurable
compact-class
controller

Menu languages:



The **DeltaSol® SLT** effortlessly controls even complex systems. 27 pre-configured system layouts with numerous **pre-programmed optional functions** such as thermal disinfection or zone loading enable adaptation to the individual system requirements.

The operation via 2 main buttons and 1 adjustment dial, the Lightwheel®, still follows the well-known operating concept. The multicoloured LED, integrated in the Lightwheel®, offers **many possibilities to signal different system states**.

The microSD card slot, the **mini USB connection** and the **2 microbuttons** for quick access to the manual mode and the holiday function are located underneath the slidable housing cover, the **SLider**.

- 4 relay outputs (incl. 1 extra-low voltage relay)
- 4 inputs for Pt1000, Pt500 or KTY temperature sensors
- Inputs for 1 analogue Grundfos Direct Sensor™ and 1 Flowrotor
- 1 V40 impulse input (also usable as a Pt1000, Pt500 or KTY temperature sensor input)
- 2 PWM outputs for the speed control of high-efficiency pumps
- MicroSD card slot, LAN interface (optional), mini-USB port
- Automatic function control according to VDI 2169

RESOL DeltaSol® SLT

Price bracket A | Article no.: **115 005 33**

RESOL DeltaSol® SLT – Full kit

Incl. 4 Pt1000 sensors (2 x FKP6, 2 x FRP6)

Price bracket A | Article no.: **115 004 93**

RESOL DeltaSol® SLT with LAN interface

Price bracket A | Article no.: **115 004 03**

RESOL DeltaSol® SLT with LAN interface – Full kit

Incl. 4 Pt1000 sensors (2 x FKP6, 2 x FRP6)

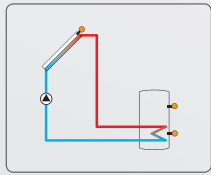
Price bracket A | Article no.: **115 004 13**

Customised and OEM versions are available on request.
Please contact our sales team.

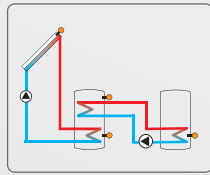


DeltaSol® SLT with LAN interface

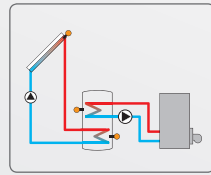
Examples



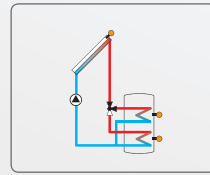
Solar system with 1 store



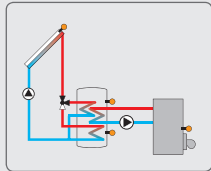
Solar system with 1 store and heat exchange controller



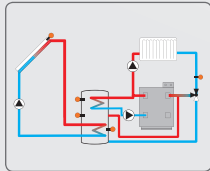
Solar system with 1 store and thermostatic afterheating



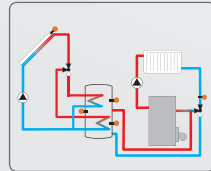
Solar system with store loading in layers



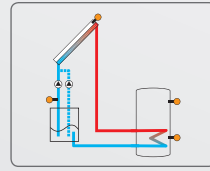
Solar system with store loading in layers and solid fuel boiler



Solar system with 1 store, heating circuit return preheating and thermostatic afterheating



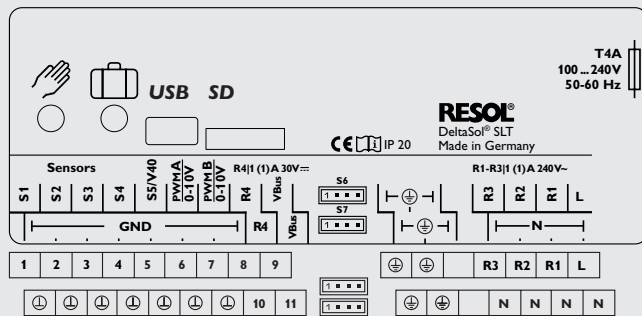
Solar system with multi-layer store and heating circuit return preheating



Solar drainback system with booster*

* Application examples

Electrical connection



Sensor 6: Grundfos Direct Sensor™, Sensor 7: Flowrotor

Accessories



MicroSD card
MicroSD card, 4 GB memory capacity, incl. adapter
Price bracket C | Article no.: **180 007 41**



RESOL DL2 Datalogger
Datalogger incl. RESOL Service CD, SD card and LAN cable, mains adapter and VBus® cable pre-connected
Price bracket A | Article no.: **180 007 10**



RESOL DL3 Datalogger
Datalogger incl. RESOL Service CD, SD card, mains adapter, LAN and VBus® cable
Price bracket A | Article no.: **180 009 90**



VFS/RPS Grundfos Direct Sensor™
Analogue sensors in different versions

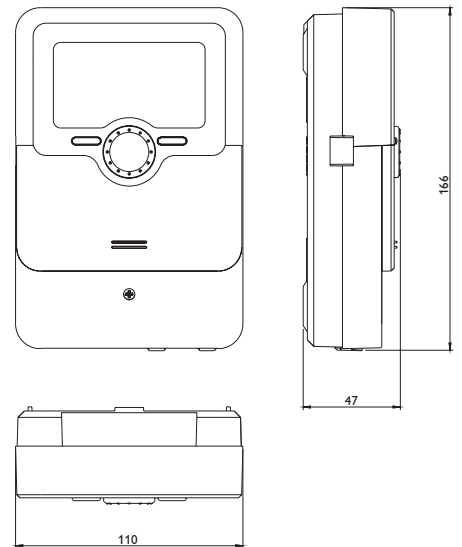


RESOL V40
V40 flowmeter in different versions



RESOL SP10
Sensor overvoltage protection
Price bracket A | Article no.: **180 110 70**

Technical data



Inputs: 4 inputs for Pt1000, Pt500 or KTY temperature sensors, 1 analogue Grundfos Direct Sensor™, 1 Flowrotor, 1 V40 impulse input (also usable as a Pt1000, Pt500 or KTY temperature sensor input)

Outputs: 3 semiconductor relays, 1 potential-free extra-low voltage relay, 2 PWM outputs (switchable to 0-10 V)

PWM frequency: 512 Hz

PWM voltage: 10,8 V

Switching capacity:

1 (1) A 240 V~ (semiconductor relay)
4 (2) A 24 V~ / 240 V~ (potential-free relay)

Total switching capacity: 4 A 240 V~

Power supply: 100 ... 240 V~ (50 ... 60 Hz)

Supply connection: type Y attachment

Power consumption: < 1 W (standby)

Mode of operation: type 1.B.C.Y action

Rated impulse voltage: 2.5 kV

Data interface: RESOL VBus®, MicroSD card slot, LAN interface (optional), mini-USB port

VBus® current supply: 60 mA

Functions: operating hours counter, tube collector function, zone loading, heat exchange, speed control, heat quantity measurement, adjustable system parameters and optional functions (menu-driven), balance and diagnostics function, function control according to VDI 2169

Housing: plastic, PC-ABS and PMMA

Mounting: wall mounting, mounting into patch panels is possible

Indication/Display: full graphic display, Lightwheel® (adjustment dial) and background illumination

Operation:

4 push buttons at the front and 1 Lightwheel®

Ingress protection: IP 20 / EN 60529

Protection class: I

Ambient temperature: 0 ... 40 °C

Pollution degree: 2

Dimensions: 110 x 166 x 47 mm