



DeltaSol® SL

With its versatile software, the RESOL DeltaSol® SL can control even complex systems easily and reliably. 27 pre-configured system layouts with up to 3 hydraulic variants each facilitate the commissioning and enable the adaptation to the individual system requirements.

The operation via 2 main buttons and 1 adjustment dial, the Lightwheel®, still follows the well-known operating concept.

The manual mode and the holiday function can be activated by pressing a single button.



rosenthal design



Modern design, many application possibilities!

- Integrated MicroSD card slot
- 4 relay outputs (incl. 1 potential-free extra-low voltage relay)
- 4 inputs for Pt1000, Pt500 or KTY temperature sensors
- Inputs for 1 analogue Grundfos Direct Sensor™ and 1 FlowRotor
- 1 V40 impulse input (also usable as a Pt1000, Pt500 or KTY temperature sensor input)
- 2 PWM outputs for the speed control of high-efficiency pumps
- 27 basic system layouts with up to 3 hydraulic variants each to choose from
- Automatic function control according to VDI 2169

RESOL DeltaSol® SL

Price bracket A | Article no.: **115 003 33**

RESOL DeltaSol® SL – Full kit

Incl. 4 Pt1000 sensors (2 x FKP6, 2 x FRP6)

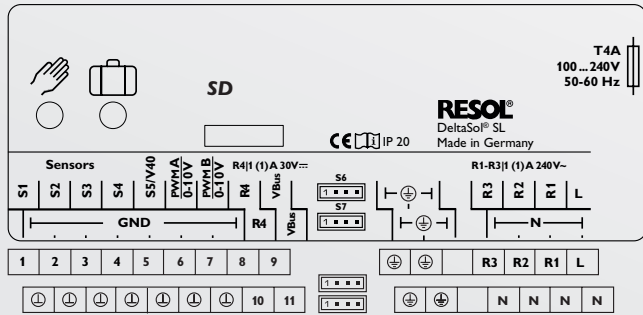
Price bracket A | Article no.: **115 003 43**

Customised and OEM versions are available on request. Please contact our sales team.

Manuals available:

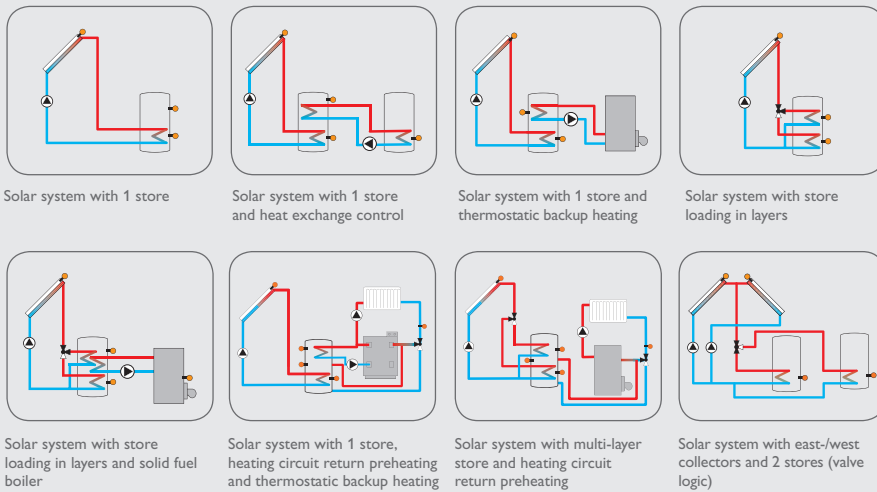


ELECTRICAL CONNECTION



Sensor 6: Grundfos Direct Sensor™, Sensor 7: FlowRotor

EXAMPLES



ACCESSORIES

RESOL DL2 Datalogger



For visualisation via VBus.net, incl. SD card and network cable, mains adapter and VBus® cable pre-connected

Price bracket A | Article no.: **180 007 10**

MicroSD card



MicroSD card, 4 GB memory capacity, incl. adapter

Price bracket C | Article no.: **180 007 41**

VFS/RPS Grundfos Direct Sensor™



Analogue sensors in different versions

RESOL SP10



Sensor overvoltage protection

Price bracket A | Article no.: **180 110 70**

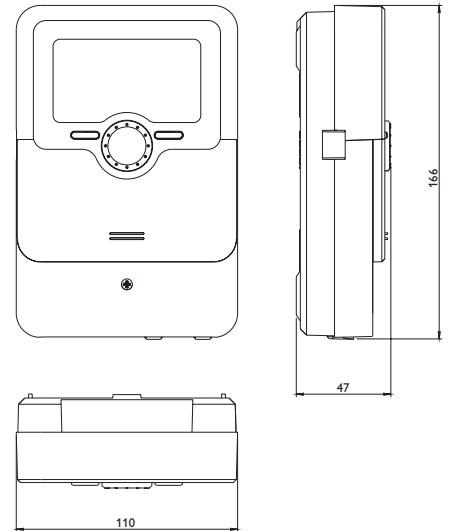
RESOL AM1



Alarm module for signalling system failures

Price bracket B | Article no.: **180 008 70**

TECHNICAL DATA



Inputs: 4 inputs for Pt1000, Pt500 or KTY temperature sensors, 1 analogue Grundfos Direct Sensor™, 1 FlowRotor, 1 V40 impulse input (also usable as a Pt1000, Pt500 or KTY temperature sensor input)

Outputs: 3 semiconductor relays, 1 potential-free extra-low voltage relay, 2 PWM outputs (switchable to 0-10V)

PWM frequency: 512 Hz

PWM voltage: 10.8 V

Switching capacity:

1 (1) A 240 V~ (semiconductor relay)

1 (1) A 30 V~ / 240 V~ (potential-free relay)

Total switching capacity: 3 A 240 V~

Power supply: 100 ... 240 V~ (50 ... 60 Hz)

Supply connection: type Y attachment

Standby: 0.69 W

Temperature controls class: I

Energy efficiency contribution: 1 %

Mode of operation: type 1.B.C.Y action

Rated impulse voltage: 2.5 kV

Data interface: RESOLVBus®, MicroSD card slot

VBus® current supply: 60 mA

Functions: operating hours counter, tube collector function, thermostat function, pump speed control, heat quantity measurement, adjustable system parameters and optional functions (menu-driven), balance and diagnostics function, function control according to VDI 2169

Housing: plastic, PC-ABS and PMMA

Mounting: wall mounting, mounting into patch panels is possible

Indication / Display: System-Monitoring-Display, for visualisation of the systems, 16-segment-display, 8 symbols for indication of the system status, operating control LED (Lightwheel®)

Operation:

4 push buttons and 1 adjustment dial (Lightwheel®)

Ingress protection: IP 20 / EN 60529

Protection class: I

Ambient temperature: 0 ... 40 °C

Pollution degree: 2

Dimensions: 110 x 166 x 47 mm