



DeltaSol® SLL

The RESOL DeltaSol® SLL is the smallest controller of the SL series. Its equipment is optimised for small and medium-sized solar thermal and heating systems, 10 pre-configured basic systems are available. The DeltaSol® SLL is also the first controller of its category to offer the automatic function control according to the VDI 2169 directive.

Additionally, it is equipped with a potential-free extra-low voltage relay for backup heating demand and a V40 flowmeter input for heat quantity measurement.



rosenthal design 



Versatile and easy to operate!

- Microbuttons for quick access to the manual mode and the holiday function
- 3 relay outputs (incl. 1 potential-free extra-low voltage relay)
- 4 inputs for Pt1000, Pt500 or KTY temperature sensors
- 1 V40 impulse input
- 2 PWM outputs for the speed control of high-efficiency pumps
- 10 basic system layouts to choose from
- Automatic function control according to VDI 2169

RESOL DeltaSol® SLL

Price bracket A | Article no.: **115 431 53**

RESOL DeltaSol® SLL – Full kit

Incl. 3 Pt1000 sensors (1 x FKP6, 2 x FRP6)

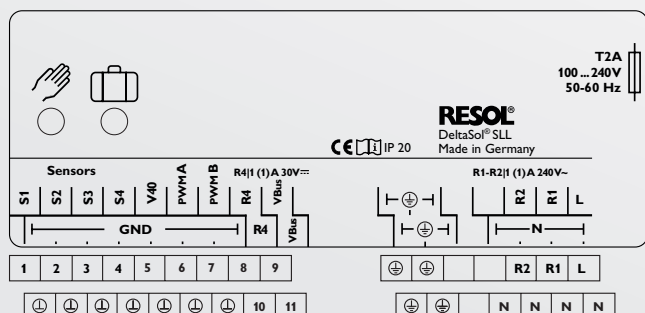
Price bracket A | Article no.: **115 431 63**

Customised and OEM versions are available on request.
Please contact our sales team.

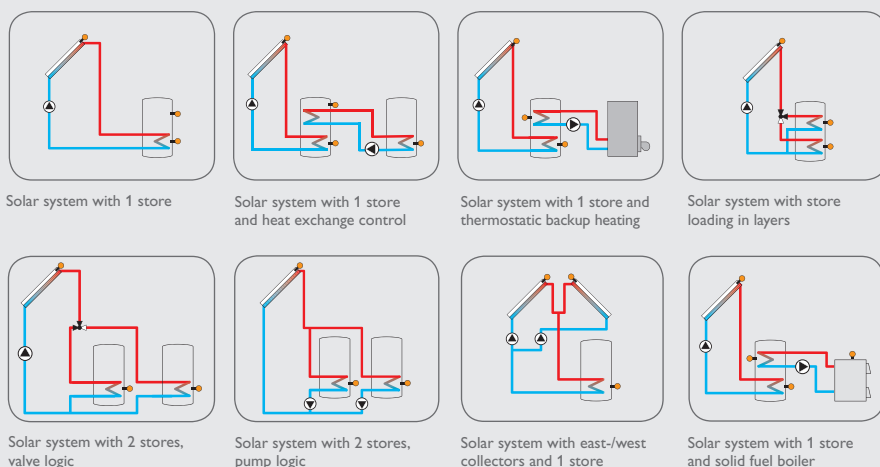
Manuals available:



ELECTRICAL CONNECTION



EXAMPLES



ACCESSORIES

RESOL KM2 Communication module



Incl. RESOL service CD, network cable and mains adapter; VBus® cable pre-connected

Price bracket A | Article no.: **180 012 10**

RESOL V40



V40 flowmeter in different versions

RESOL SP10



Sensor overvoltage protection

Price bracket A | Article no.: **180 110 70**

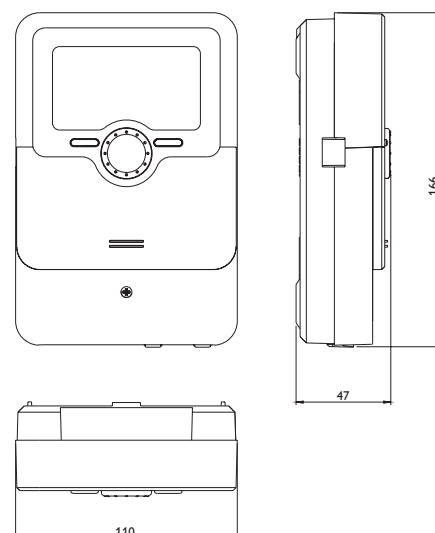
RESOL AM1



Alarm module for signaling system failures

Price bracket B | Article no.: **180 008 70**

TECHNICAL DATA



Inputs: 4 inputs for Pt1000, Pt500 or KTY temperature sensors, 1 V40 impulse input

Outputs: 2 semiconductor relays, 1 potential-free extra-low voltage relay, 2 PWM outputs

PWM frequency: 1000 Hz

PWM voltage: 10.5 V

Switching capacity:

1 (1) A 240 V~ (semiconductor relay)

1 (1) A 30 V~ (potential-free relay)

Total switching capacity: 2 A 240 V~

Power supply: 100 ... 240 V~ (50 ... 60 Hz)

Supply connection: type Y attachment

Standby: 0.71 W

Temperature controls class: I

Energy efficiency contribution: 1 %

Mode of operation: type 1.B.C.Y action

Rated impulse voltage: 2.5 kV

Data interface: RESOL VBus®

VBus® current supply: 60 mA

Functions: operating hours counter, tube collector function, thermostat function, pump speed control, heat quantity measurement, adjustable system parameters and optional functions (menu-driven), balance and diagnostics function, function control according to VDI 2169

Housing: plastic, PC-ABS and PMMA

Mounting: wall mounting, mounting into patch panels is possible

Indication/Display: System-Monitoring-Display, for visualisation of the systems, 16-segment-display, 8 symbols for indication of the system status, operating control LED (Lightwheel®)

Operation:

4 push buttons and 1 adjustment dial (Lightwheel®)

Ingress protection: IP 20 / EN 60529

Protection class: I

Ambient temperature: 0 ... 40 °C

Pollution degree: 2

Dimensions: 110 x 166 x 47 mm